

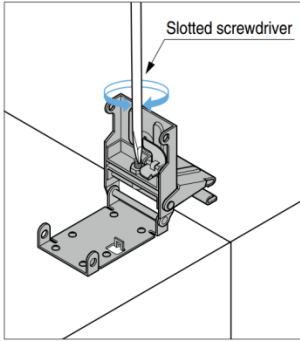
GTHF-75 Adjustable Heavy Duty Draw Latch

Features

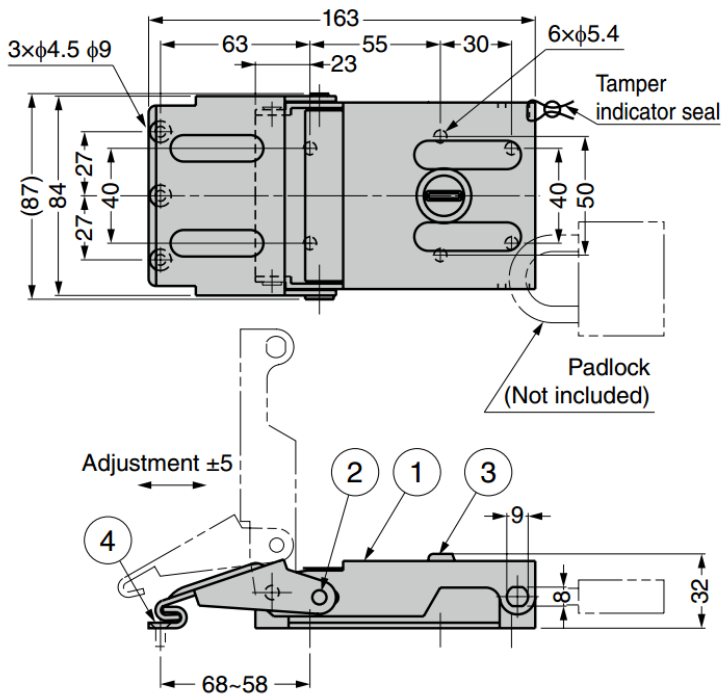
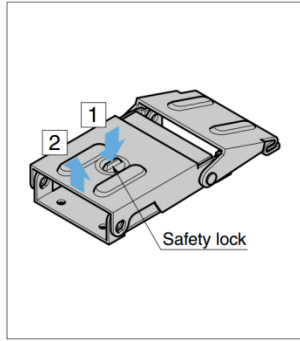
- Heavy duty draw latch with load capacity of 75 kg
- With safety lock to prevent accidental release
- Clamping margin is adjustable ± 5 mm
- Can be used with padlock



Adjustment



Safety Lock



No.	Part Name	Material	Finish
①	Body	Steel (SPCC)	Coloured Zinc Chromate (Trivalent)
②	Shaft	Stainless Steel (SUS304)	-
③	Safety Lever		
④	Strike	Steel (SPCC)	Coloured Zinc Chromate (Trivalent)

Part No.	Load Capacity
GTHF-75	730 N 75 kg